



EQUALIZER
INTERNATIONAL

VLW18TI

INTEGRERT HYDRAULISK
VERTIKAL LØFTE KILE

Product Code: VLW18TISPB



LØFTE KRAFT:

10,000 psi (700 bar) = 18 T (180 kN)

VEKT = 10 kg (22 lbs)

KIT KOMPONENTER

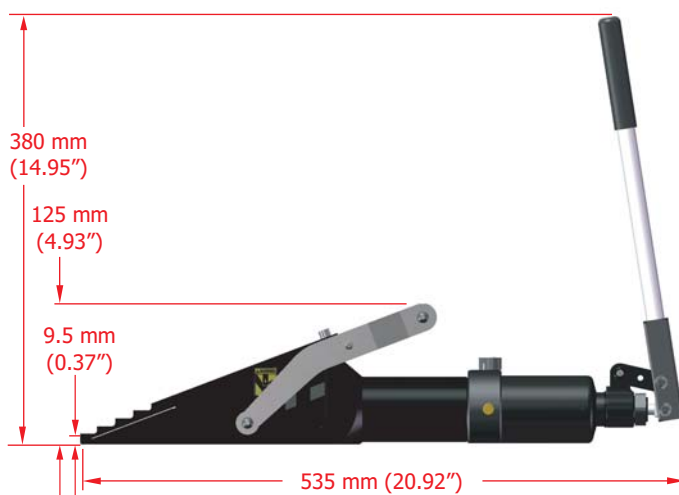
- 1 x VLW18TI Wedgehead
 - 1 x 10,000 psi (700 bar) Integral Hydraulic Pump/Cylinder
 - 1 x Safety Block
 - 1 x Stepped Block
 - 1 x Hex Key
 - 1 x Countersunk Screw
 - 1 x Instruction Manual
 - 1 x Carry-Case
- Product Code: VLW18TISPB



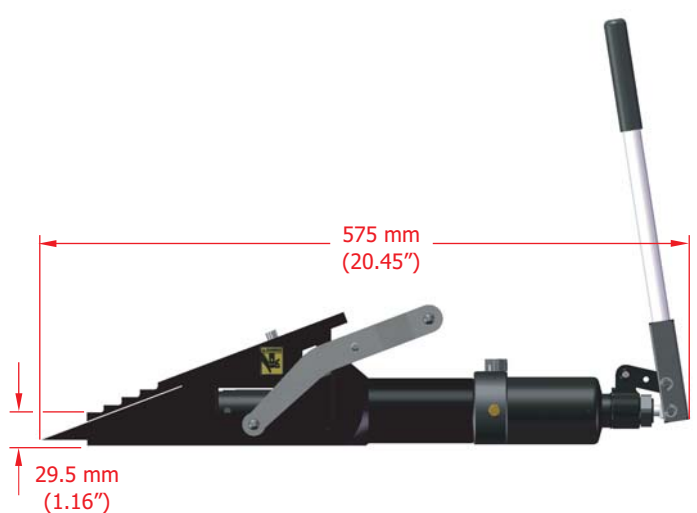
VEKT OG DIMENSJONER

Wedge	= 10 kg (22 lbs)	Carry-Case Dimensions:
Carry-Case	= 2.5 kg (5.5 lbs)	580 x 340 x 180 mm
GROSS WEIGHT	= 13.5 kg (29.8 lbs)	(22.8" x 13.4" x 7.1")

TOOL DIMENSIONS - LUKKET

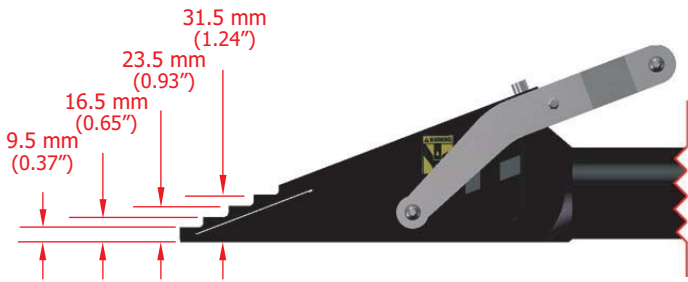


TOOL DIMENSIONS - ÅPNET

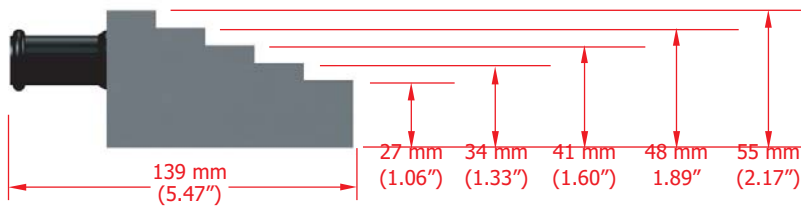




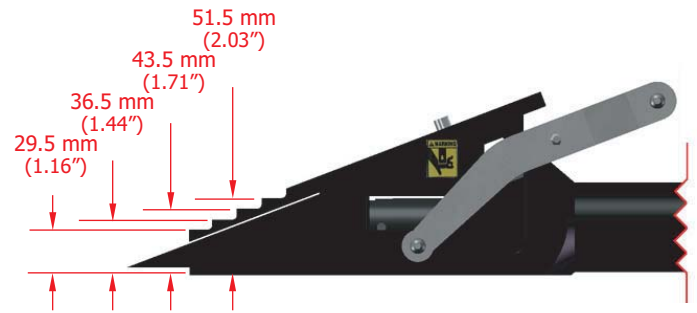
TOOL DIMENSIONS - LUKKET



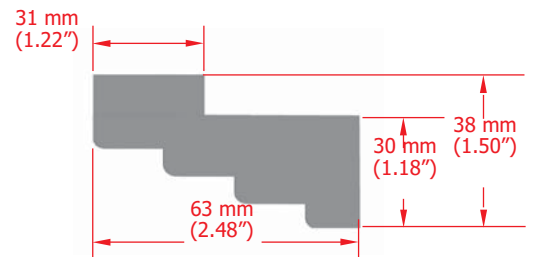
SIKKERHETS BLOKK DIMENSJON



TOOL DIMENSIONS - ÅPEN



STEPPED BLOCK DIMENSIONS



DELE LISTE MED TEGNING

ITEM	PART No.	DESCRIPTION	QUANTITY
01	501301-01	HANDLE BAR	01 each
02	402902-04	SCREW FOR HANDLE	01 set of 4
03	501001-02	SIDE PLATES FOR HANDLE	01 set of 2
04	402701-01	SCREW FOR TAIL	01 each
05	501601-01	WASHER FOR TAIL	01 each
06	500201-01	TOP PLATE	01 each
07	501901-01	STEPPED BLOCK (KIT)	01 kit
08	301201-04	ROLL PINS	01 set of 4
09	502001-01	TAIL	01 each
10	501501-02	SCREWS FOR TAIL	01 set of 2
11	501401-01	SAFETY BLOCK	01 each
12	500302-01	WEDGE	01 each
13	301301-01	GRUB SCREW	01 each
14	503201-01	SLOT PLUG	01 each
15	500102.01	MAIN BODY	01 each
16	503501-02	SPACER	01 set of 2
17	503301-02	WASHER 10 mm ID	01 set of 2
18	503401-02	WASHER 6 mm ID	01 set of 2
19	500401-02	SLIDE PINS	01 set of 2

ITEM	PART No.	DESCRIPTION	QUANTITY
20	502301-01	M6 x 35mm GRUB SCREW	01 each
21	500503-01	PUSH PIN MK III	01 each
22	510700-01	PUMP MODEL PM1004UK	01 each
23	300401-02	GRUB SCREW FOR SLIDE PINS	01 set of 2
24	310601-01	GREASE NIPPLE	01 each
25	201201-01	RUBBER SLEEVE	01 each
26	375001-01	HYDRAULIC REPAIR KIT (Not Illustrated)	01 kit

