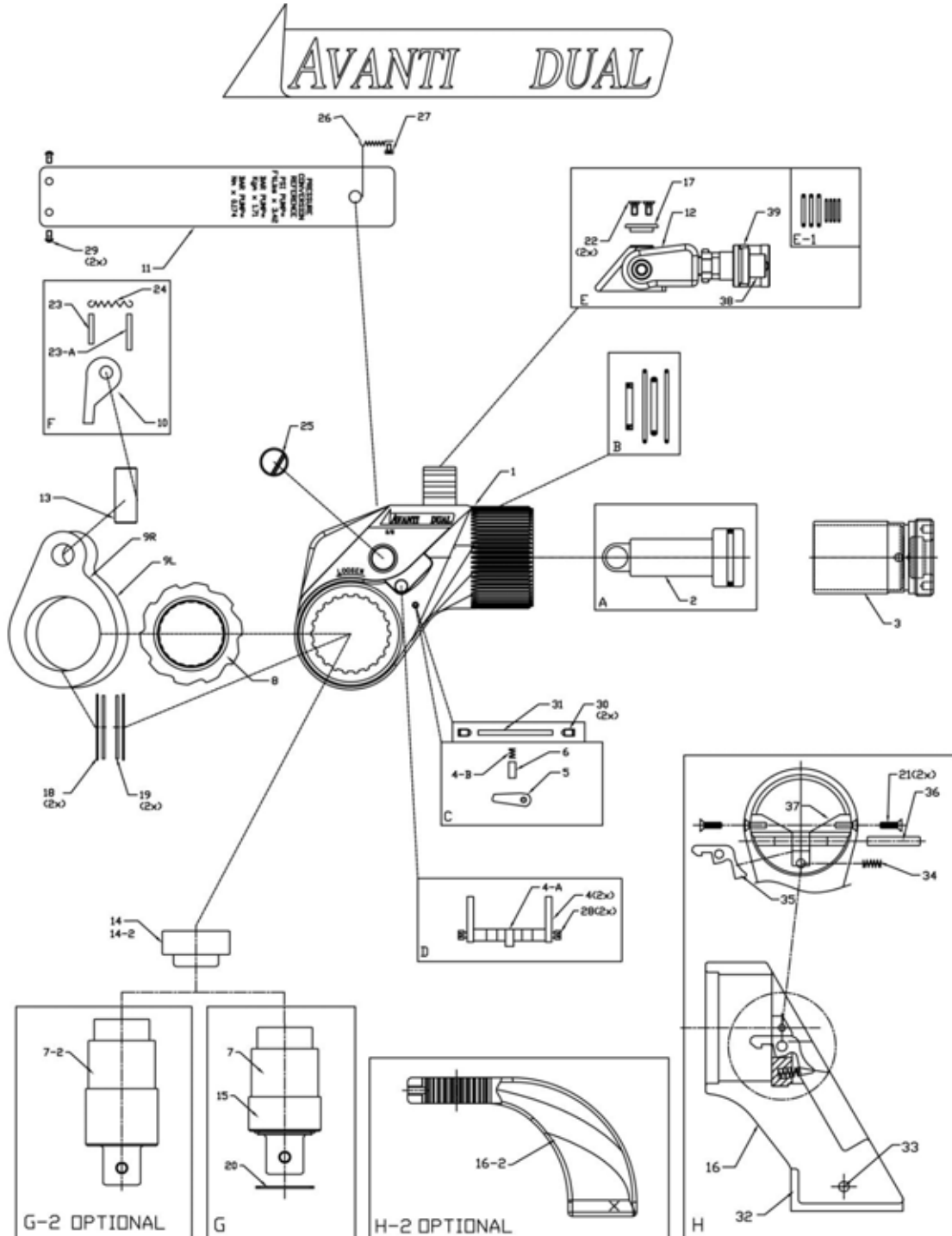


6.2 AVANTI DUAL



### 6.2.1 AvantiDual Deleliste

REF #	QTY	DESCRIPTION	AV 1 DR	AV 3 DR	AV 5 DR	AV 10 DR
1	1	HOUSING (with end cap, shroud, access plug and housing seal kit)	AV-01-01D	AV-03-01D	AV-05-01D	AV-10-01D
A 2	1	PISTON ASSEMBLY	AV-01-25	AV-03-25	AV-05-25	AV-10-25
3	1	END CAP	AV-01-34D	AV-03-34D	AV-05-34D	AV-10-34D
D 4	1	DISENGAGEMENT LEVER ASSEMBLY	AV-01-15	AV-03-15	AV-05-15	AV-10-15
4	2	DISENGAGEMENT LEVER RIGHT & LEFT (universal)	AV-01-15A	AV-03-15A	AV-05-15A	AV-10-15A
4-A	1	DISENGAGEMENT LEVER PIVOT SHAFT	AV-01-15B	AV-03-15B	AV-05-15B	AV-10-15B
4-B	1	REACTION PAWL PUSH PIN SPRING	AV-01-18	AV-03-18	AV-05-18	AV-10-18
C 5	1	REACTION PAWL ASSEMBLY	AV-01-10	AV-03-10	AV-05-10	AV-10-10
6	1	REACTION PAWL PUSH PIN	AV-01-42	AV-03-42	AV-05-42	AV-10-42
G 7	1	SQ DRIVE ASSEMBLY (use with rear reaction arm)	AV-01-05D	AV-03-05D	AV-05-05D	AV-10-05D
G-2 7-2	1	SQ DRIVE ASSEMBLY OPTIONAL (use with coaxial reaction arm)	AV-01-05	AV-03-05	AV-05-05	AV-10-05
8	1	RATCHET	AV-01-06	AV-03-06	AV-05-06	AV-10-06
9L	1	DRIVE PLATE LEFT	AV-01-04L	AV-03-04L	AV-05-04L	AV-10-04L
9R	1	DRIVE PLATE RIGHT	AV-01-04R	AV-03-04R	AV-05-04R	AV-10-04R
F 10	1	DRIVE PAWL ASSEMBLY	AV-01-63	AV-03-63	AV-05-63	AV-10-63
11	1	SHROUD	AV-01-31D	AV-03-31D	AV-05-31D	AV-10-31D
E 12	1	UNISWIVEL ASSEMBLY	AV-01-001	AV-03-001	AV-05-001	AV-10-001
13	1	ROD PIN	AV-01-19	AV-03-19	AV-05-19	AV-10-19
14	1	DRIVE RETAINER ASSEMBLY FOR REAR REACTION ARM	AV-01-11	AV-03-11	AV-05-11D	AV-10-11D
14-2	1	DRIVE RETAINER ASSEMBLY FOR COAXIAL RECTION ARM	AV-01-11	AV-03-11	AV-05-11	AV-10-11
15	1	SQ DRIVE SPLINE SLEEVE	AV-01-07D	AV-03-07D	AV-05-07D	AV-10-07D
H 16	1	REAR REACTION ARM ASSEMBLY	AV-01-03D	AV-03-03D	AV-05-03D	AV-10-03D
H 2 16-2	1	COAXIAL REACTION ARM (OPTIONAL)	AV-01-03S	AV-03-03S	AV-05-03S	AV-10-03
17	1	UNISWIVEL CAP	AV-01-001P	AV-03-001P	AV-05-001P	AV-10-001P
18	2	DRIVE PLATE BACK UP WIRE	AV-01-20	AV-03-20	AV-05-20	AV-10-20
19	2	DRIVE PLATE RETAINING RING	AV-01-30	AV-03-30	AV-05-30	AV-10-30
20	1	SQ DRIVE RETAINING RING	AV-01-5AD	AV-03-5AD	AV-05-5AD	AV-10-5AD
21	2	THRUST PLATE SCREW	AV-01-503D	AV-03-503D	AV-05-503D	AV-10-503D
22	2	UNISWIVEL COVER SCREW	AV-01-13	AV-03-13	AV-05-13	AV-10-13
23	1	DRIVE PAWL SPRING PIN SHORT	AV-01-40	AV-03-40	AV-05-40	AV-10-40
23-A	1	DRIVE PAWL SPRING PIN LONG	AV-01-41	AV-03-41	AV-05-41	AV-10-41
24	1	DRIVE PAWL SPRING	AV-01-27	AV-03-27	AV-05-27	AV-10-27
25	2	ACCESS PLUG (with O ring)	AV-01-02	AV-03-02	AV-05-02	AV-10-02
26	1	SHROUD SPRING	AV-01-59	AV-03-59	AV-05-59	AV-10-59
27	1	SHROUD SPRING SCREW	AV-01-58	AV-03-58	AV-05-58	AV-10-58
28	2	DISENGAGEMENT LEVER SCREW	AV-01-39	AV-03-39	AV-05-39	AV-10-39
29	2	SHROUD SCREW	AV-01-32	AV-03-32	AV-05-32	AV-10-32
30	2	REACTION PAWL PIN SET SCREW	AV-01-65	AV-03-65	AV-05-65	AV-10-65
31	1	REACTION PAWL PIN	AV-01-43	AV-03-43	AV-05-43	AV-10-43
32	1	REACTION ARM BOOT	AV-01-43D	AV-03-43D	AV-05-43D	AV-10-43D
33	1	REACTON ARM BOOT PIN	AV-01-44D	AV-03-44D	AV-05-44D	AV-10-44D
34	1	REACTON ARM LEVER SPRING	AV-01-508D	AV-03-508D	AV-05-508D	AV-10-508D
35	1	REACTION ARM LEVER	AV-01-328D	AV-03-328D	AV-05-328D	AV-10-328D
36	1	PREACTION ARM LEVER PIN	AV-01-509D	AV-03-509D	AV-05-509D	AV-10-509D
37	1	REACTION ARM THRUST PLATE	AV-01-367D	AV-03-367D	AV-05-367D	AV-10-367D
38	1	MALE COUPLER	10-230-6402	10-230-6402	10-230-6402	10-230-6402
38	1	NIPPLE	FF-S-04-02	FF-S-04-04	FF-S-04-04	FF-S-04-04
39	1	FEMALE COUPLER	090156-1	10-230-1452	10-230-1452	10-230-1452
<b>KIT REFERENCE AND PART NUMBERS</b>						
	<b>REF</b>	<b>DESCRIPTION</b>	<b>AV 1 DR</b>	<b>AV 3 DR</b>	<b>AV 5 DR</b>	<b>AV 10 DR</b>
	B	HOUSING SEAL KIT	AV-01-62D	AV-03-62D	AV-05-62D	AV-10-62D
	E	UNISWIVEL SEAL KIT	AV-01-00	AV-03-00	AV-05-00	AV-10-00
	I	MAINTENACE KIT	MK-AV1D	MK-AV1D	MK-AV1D	MK-AV1D